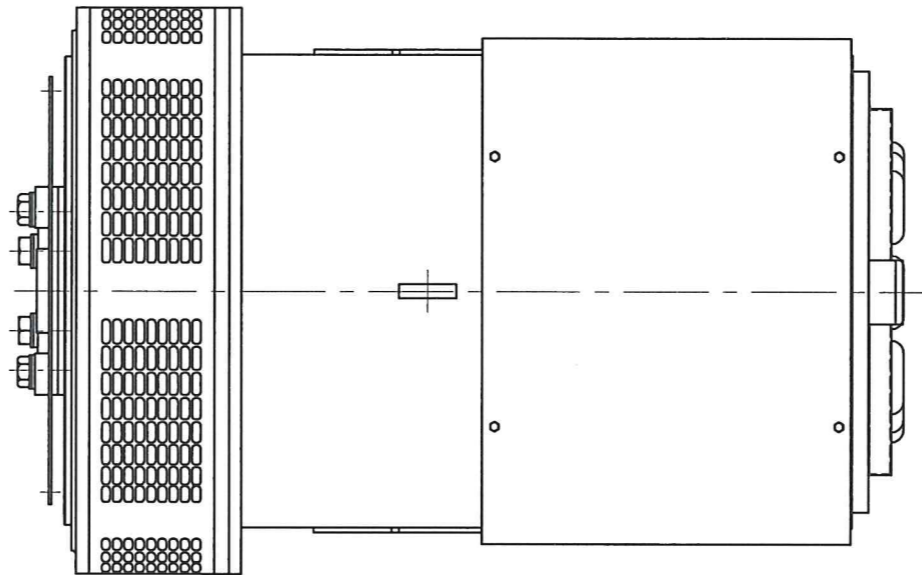


DO NOT SCALE THE DRAWING

IF IN DOUBT ASK.....

ALL DIMENSIONS ARE IN mm

SL No.	FRAME	LB	CG	WEIGHT(kg.) Approx.
1	LSA 280 A	915	420	570
2	LSA 280 B	995	430	725
3	LSA 280 C	995	440	740
4	LSA 280 D	995	450	780
5	LSA 280 E	995	470	810
6	LSA 280 F	1090	525	850

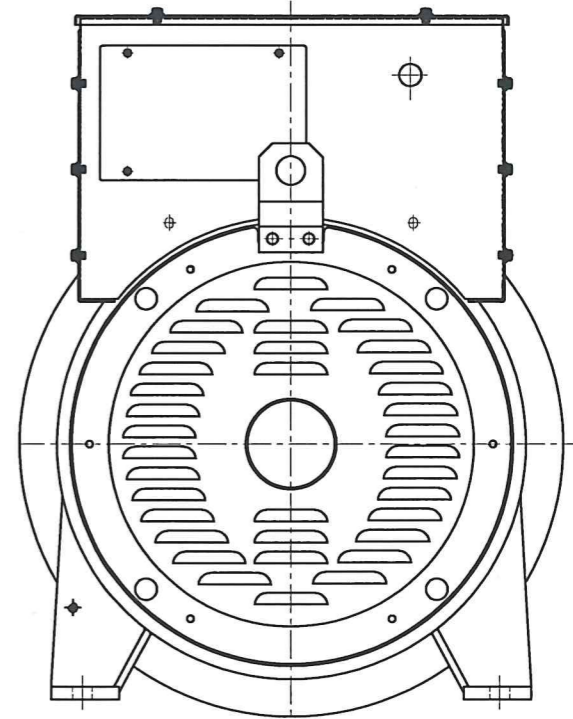
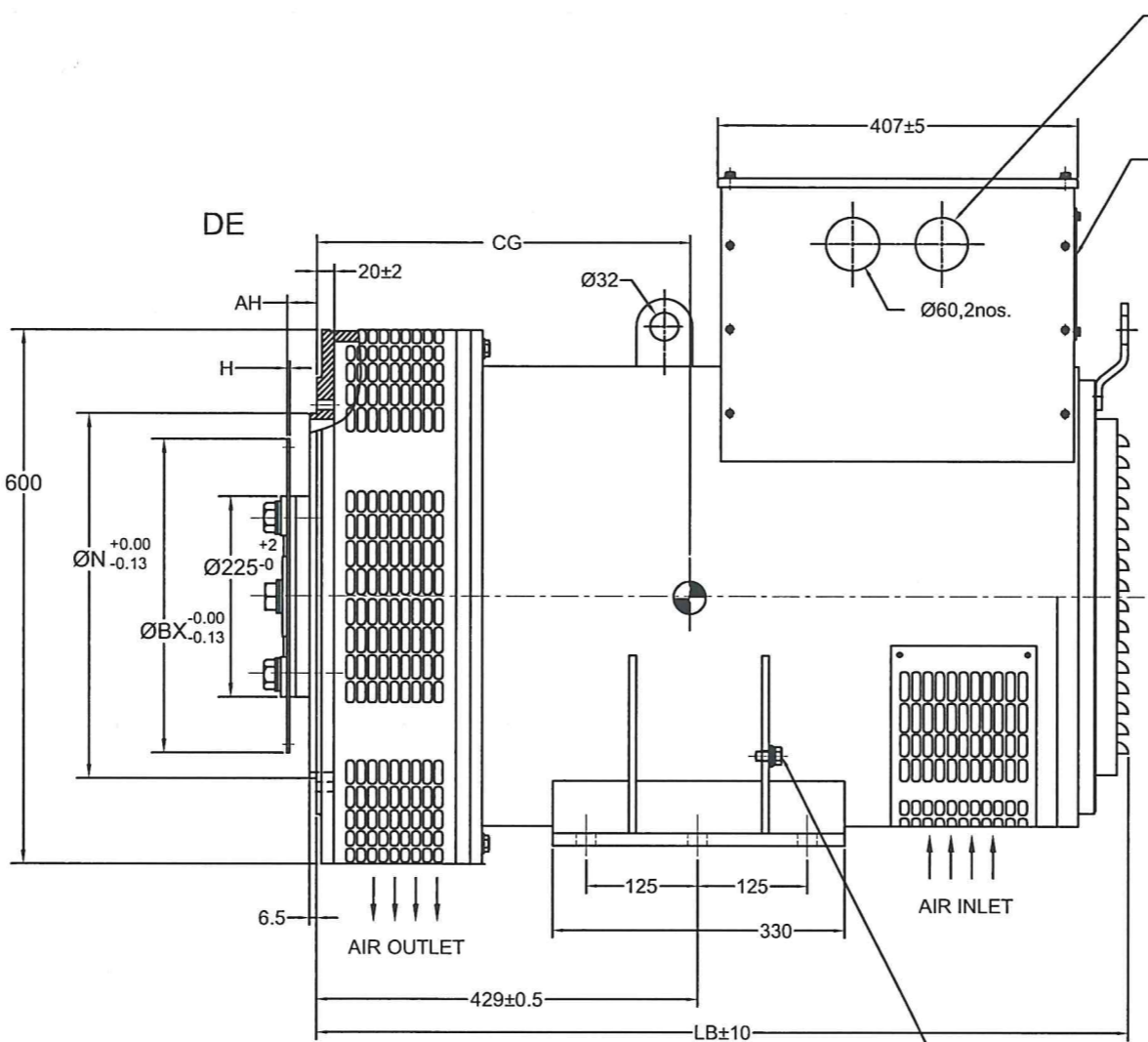
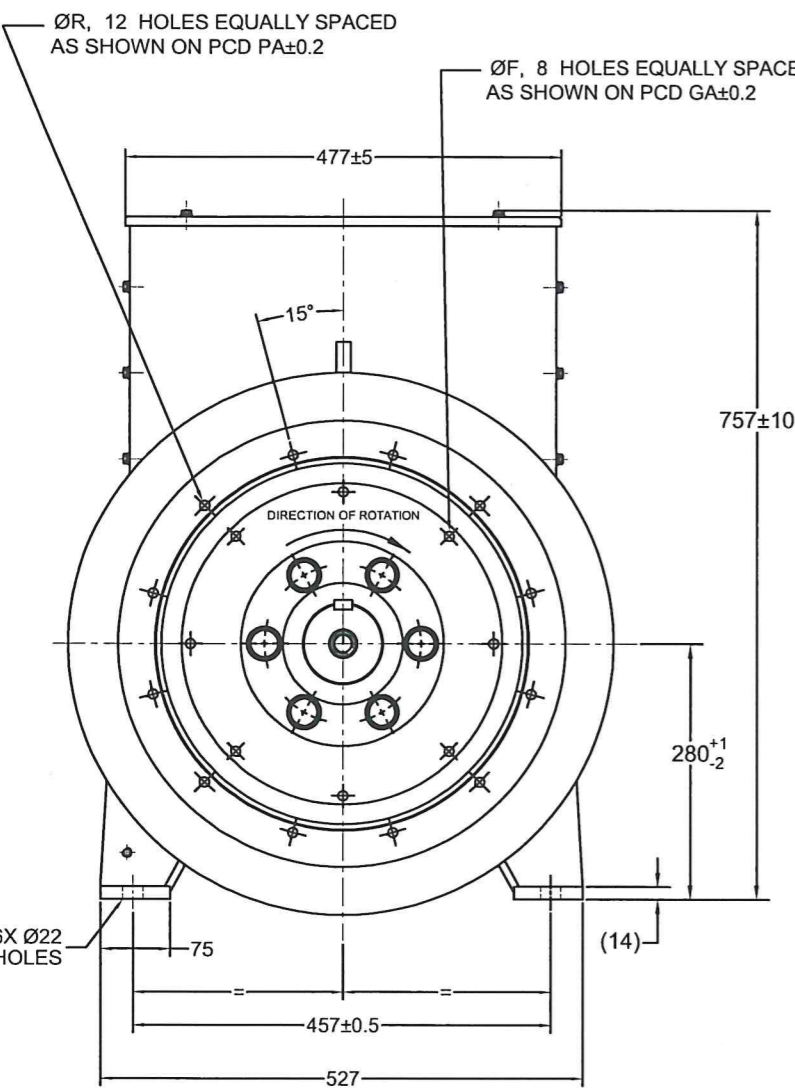


FLANGE	∅N	PA	∅R
SAE 1	511.18	530.22	12.7
SAE 2	447.68	466.70	11.
SAE 3	409.58	428.60	11

DISC	AH	∅BX	GA	∅F
11.5"	39.6	352.42	333.4	11
14"	25.4	466.72	438.15	14

COMBINATIONS		
FLANGE	DISC	
	11.5"	14"
SAE 3	✓	-
SAE 2	✓	-
SAE 1	-	✓

- NOTES:-
- SUFFICIENT CLEAR SPACE AROUND THE GENERATOR TO BE PROVIDED FOR FREE ENTRY / EXIT OF THE REQUIRED QUANTITY OF COOLING AIR TO ENSURE GOOD VENTILATION.
 - ENSURE THE ENGINE FLYWHEEL & FLYWHEEL HOUSING SPIGOT DIMENSIONS TO MATCH THE GENERATOR FLANGE & DISC DIMENSIONS AS PER SAE. CHECK FOR ECCENTRICITY & OVALITY IN THE SPIGOT.



FRONT VIEW

M10 X 25 LG. HEX SCREW
2 NOS, EITHER SIDE
FOR EARTHING

ALL INFORMATION CONTAINED IN THIS DOCUMENT IS CONFIDENTIAL AND THE PROPERTY OF THE COMPANY. REPRODUCTION OF THESE IN ANY FORM IS TO BE DONE WITH PERMISSION OF THE COMPANY.

REV	ZONE	CT No.	BRIEF RECORD	SIGNATURE	DATE

USED ON	LSA 280 24/26 (SINGLE BEARING)	SCALE	NTS
DRAWN	AC	CHECKED	VNR
APPROVED	VK	DRG. No.	AG324164 R00
TITLE		DIMENSION DRAWING	
NIDEC INDUSTRIAL AUTOMATION INDIA PRIVATE LTD BANGALORE-562162		1st RELEASE ON CT No. - SHEET No. 01 OF 01	